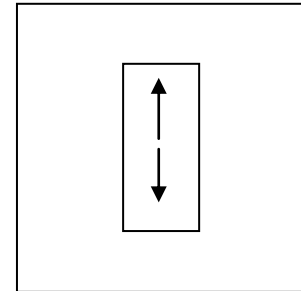
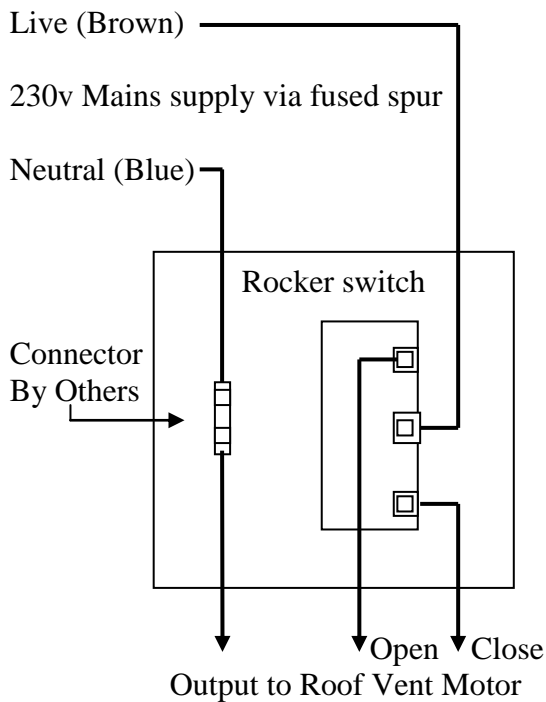


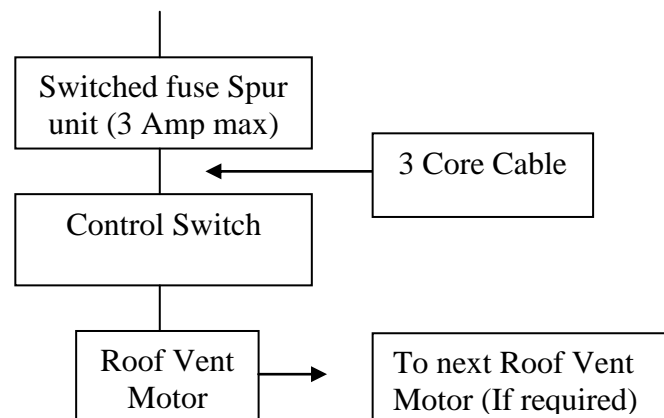
Electronic Control Switch- EL-VC-AVS001



EL-VC-AVS001

Rating (Resistive)	Circuit
AC 250V 10A 50Hz	(ON) OFF (ON)
DC 24V 10A	(ON) OFF (ON)

Typical Schematic Drawing using Manual Switch (No Automatic Opening)



Guarantee

This product is guaranteed against manufacturing defects (labour or material) for 1 year from the date of purchase, under normal usage. The guarantee DOES NOT APPLY in case of improper use, accidental damage, negligence or lack of maintenance to the unit. If the unit fails due to a manufacturing fault within the Guarantee period it will be either repaired or replaced free of charge. Liability is limited to replacement of the faulty product only; no other costs will be reimbursed.

Contact us for more details:

ELECTROSTOREONLINE
 Beechwood House
 Falkland Close
 Coventry CV4 8HQ
 Tel: +44(0) 2476 466277
 Fax: +44(0) 2476 465298
 www.electrostoreonline.com
 Email: sales@electrostoreonline.com